

24. ACCESSORY

ZM1.WALL Wall mounting bracket

This bracket is used to mount specific Dimension units onto a flat surface without utilizing a DIN-Rail. The two aluminum brackets and the black plastic slide of the unit have to be removed, so that the two steel brackets can be mounted.

(Please note: Picture shows a different unit)

Fig. 24-1 ZM1.WALL Wall Mounting Bracket

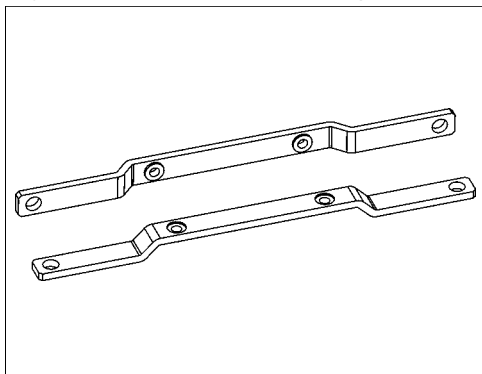
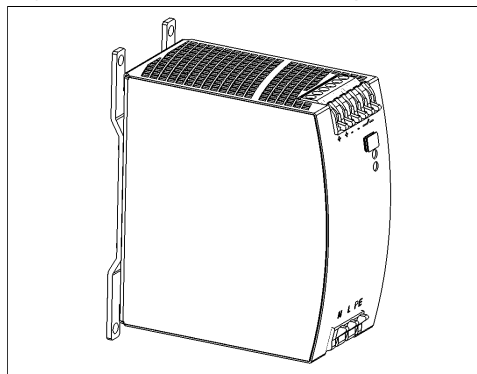


Fig. 24-2 Assembled Wall Mounting Bracket



ZM11.SIDE Side mounting bracket

This bracket is used to mount specific Dimension units sideways with or without utilizing a DIN-Rail. The two aluminum brackets and the black plastic slide of the unit have to be removed, so that the steel bracket can be mounted.

For sideways DIN-rail mounting, the removed aluminum brackets and the black plastic slide need to be reinstalled on the steel bracket.

(Please note: Pictures show a different unit)

Fig. 24-3 ZM11.SIDE Side Mounting Bracket

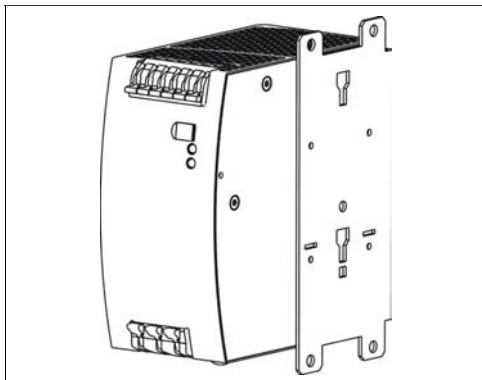


Fig. 24-4 Side Mounting with DIN-rail brackets

